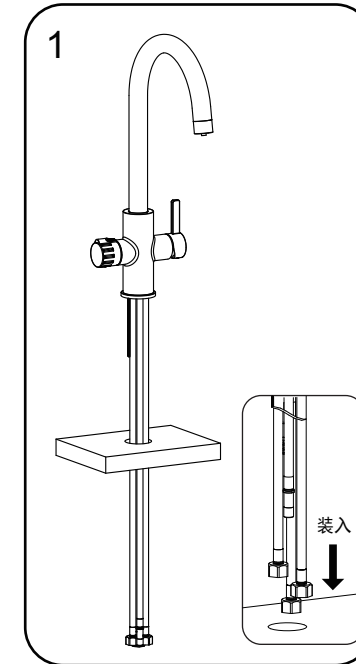
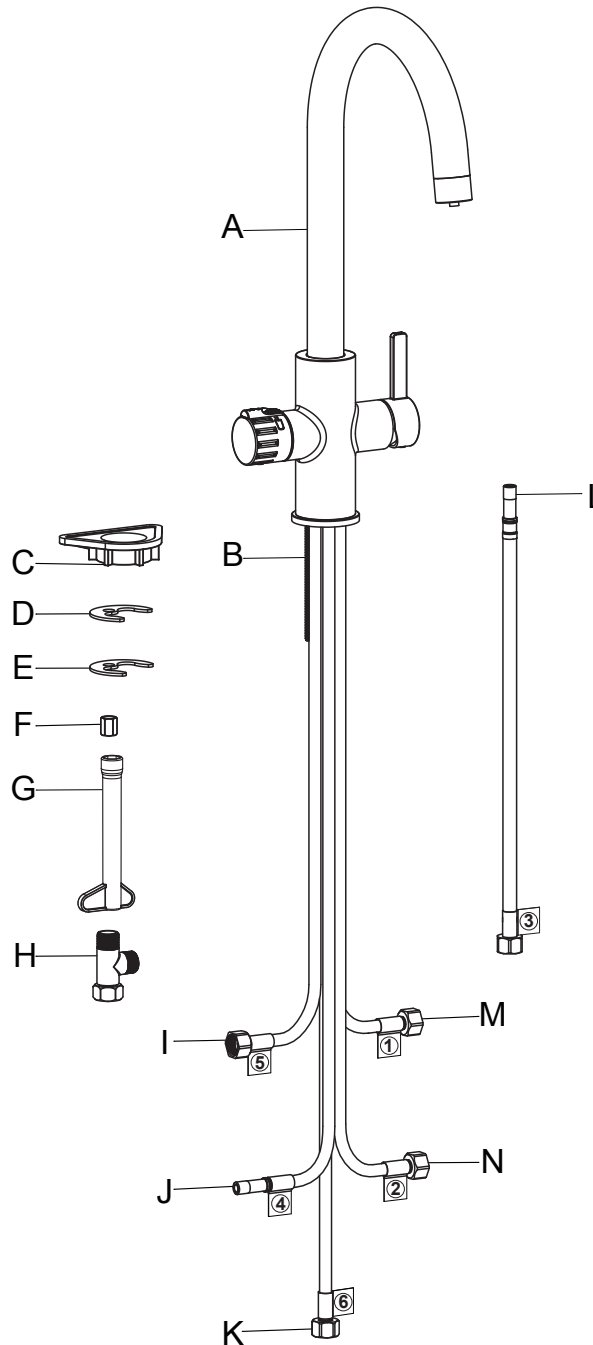


4-1 Instant Hot Water and Drink Water Faucet

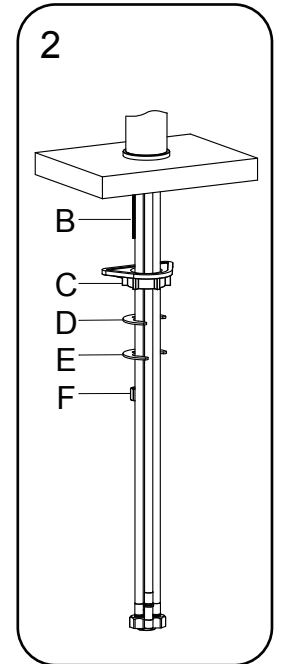
USER MANUAL



NO.	Description	QTY
A	Faucet	1
B	Screw Stem	1
C	Triangle Cushion	1
D	Rubber Wahser	1
E	Metal Wahser	1
F	Mounting Nut	1
G	Wrench	1
H	Three-way Connector	1
I	Boiling water Supply Hose	1
J	Drinking water Outlet Hose	1
K	Boiled water Outlet Hose	1
L	Drinking water Supply Hose	1
M	Cold water Supply Hose	1
N	Hot water Supply Hose	1

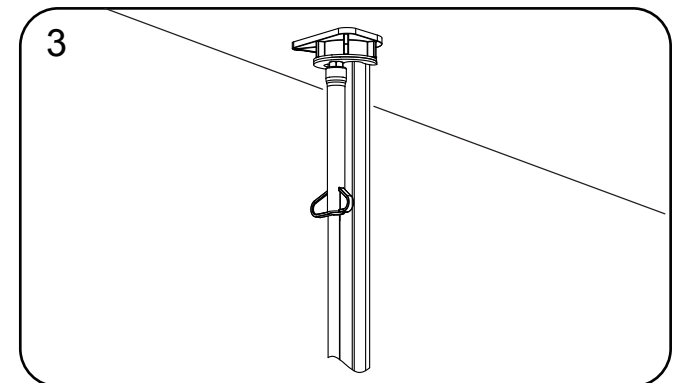


1. Taking the faucet from packaging box and place five hoses into mounting hole one by one. See Fig.1

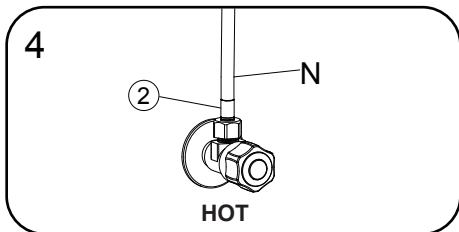
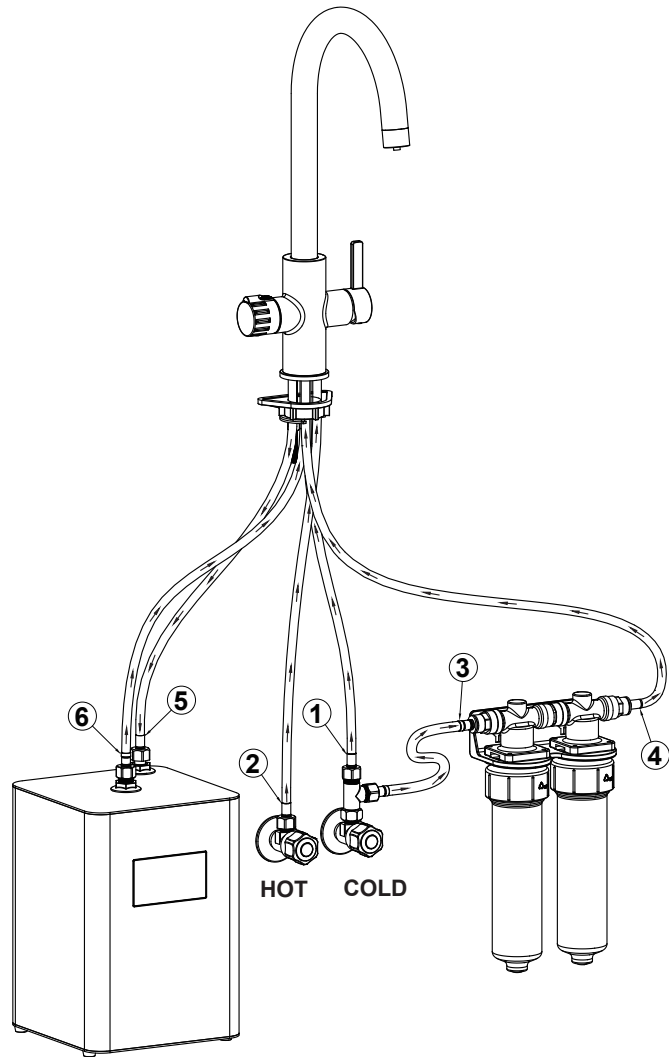


2. Placing five hoses through the triangle cushion (C) firstly, and then using the mounting nut (F) to fix rubber washer (D) and metal washer (E) on screw stem (B). See Fig.2

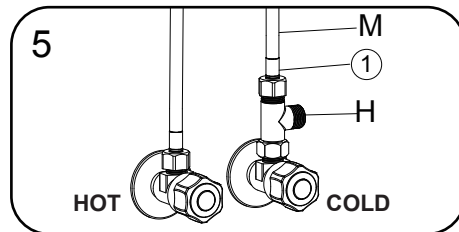
Please note: Pass the 4 hoses with nuts FIRST and then pass 1 hose without nuts to facilitate installation.



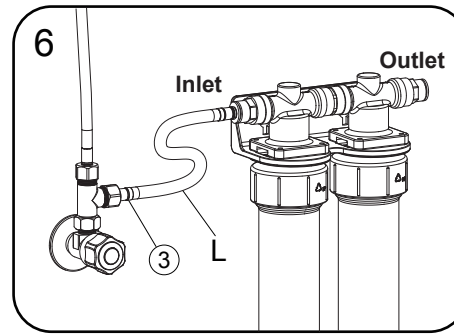
3. Adjusting the faucet at correct direction, and tighten the mounting nut (F) with wrench (G). See Fig.3



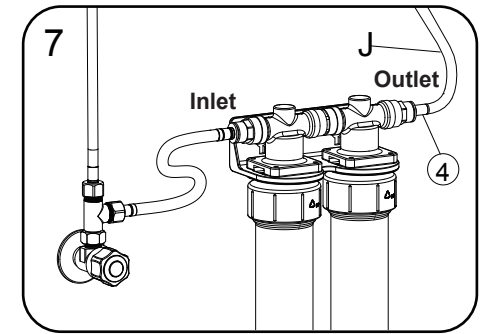
4. Connecting the hot supply hose (N) (with label ②/orange color) to hot water valve with an adjustable wrench. See Fig.4



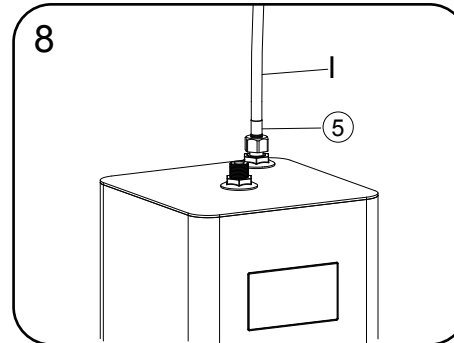
5. Connecting the three-way connector (H) onto the cold water valve, and connecting the cold water supply hose (M) (with label ①/blue color) onto one other side of the three-way with an adjustable wrench. See Fig.5



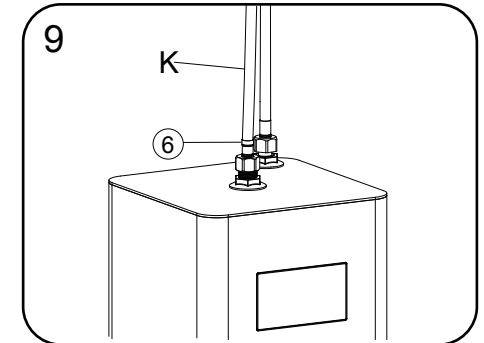
6. Connecting the drinking water supply hose (L) (with label ③/blue color) onto other side of three-way connector, and secure the connection with an adjustable wrench. Fitting another end of the hose (L) onto the filter housing inlet. See Fig.6.



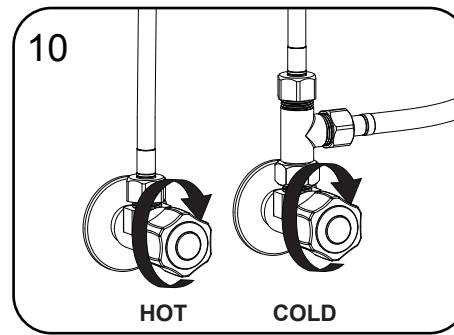
7. Connecting the drinking water outlet hose (J) (with label ④/green color) onto the the filter housing outlet. See Fig.7



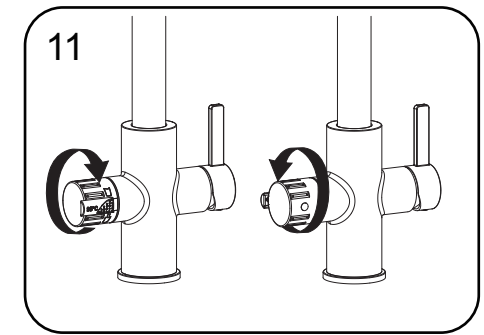
8. Connecting boiling water supply hose (I) (with label ⑤/green color) onto the inlet of boiling water tank indicated blue and secure the connection with an adjustable wrench. See Fig.8



9. Connecting boiled water outlet hose (K) (with label ⑥/red color) onto the outlet of boiling water tank indicated red, secure the connection with an adjustable wrench. See Fig.9



10. Turning on the water supply and check the water connections for leaks. Test system for leaks, and purge system. Run a minimum of 20 litres of water through the tank to remove any air. See Fig.10



11. Sliding out the pick on the left round handle and turning the round handle clockwise at the same time, it will comes out the boiled and filtered water. And turning the round handle counter-clockwise, it will comes out the cold and filtered water.